



Mercedes-Benz
approved



Capacity 6,5 T

DESCRIPTION

SQ652 MB

Electro-hydraulic 4 post lift, capacity 6,5 T

Supplied with the lift:

Alignment runways
Rear built-in sliding tables front spacers for turn tables
Long run-up ramps

J40PMB - 4t Jacking Beam with MB specific adapters
(spiral cable included)

MKS - system to check lift planarity.
The MKS kit allows to place the four targets and check the perfect lift planarity.
Targets, cameras and turn tables are part of the wheel aligner and not included with the lift.

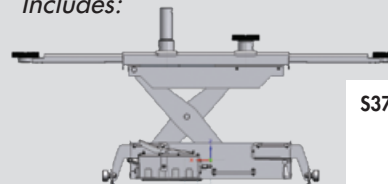
Lighting Kit - four led

Energy Kit:

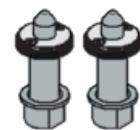
- 2 compressed air quick connections
- 1 electric plug Schuko 220V single phase

J40PYMB

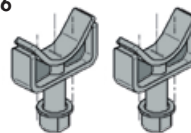
Includes:



S370A25



S370A26



H=80 MM



H=140 MM

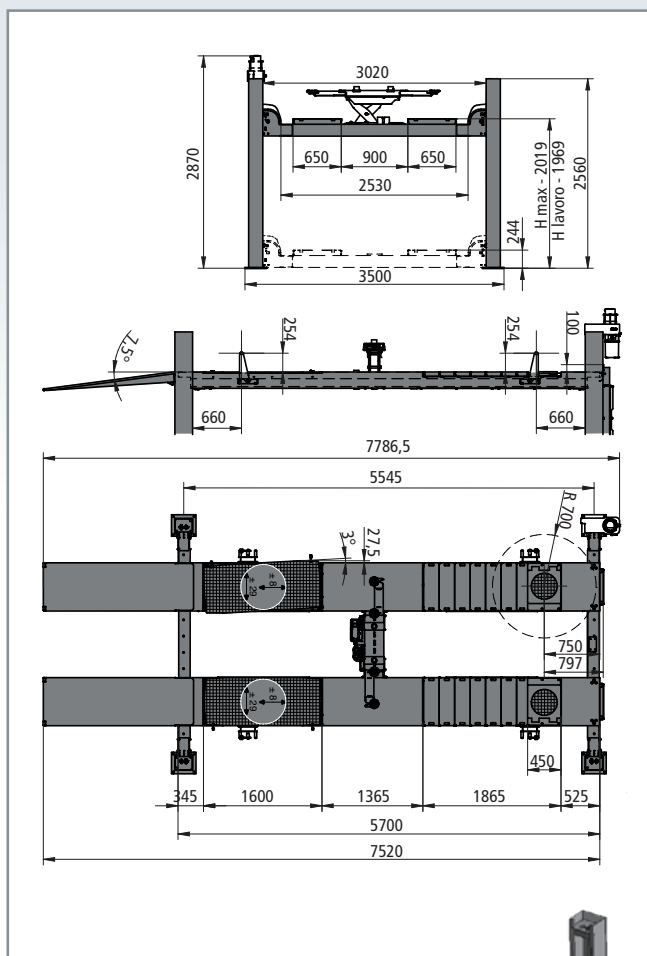


H=200 MM



SQ652 MB

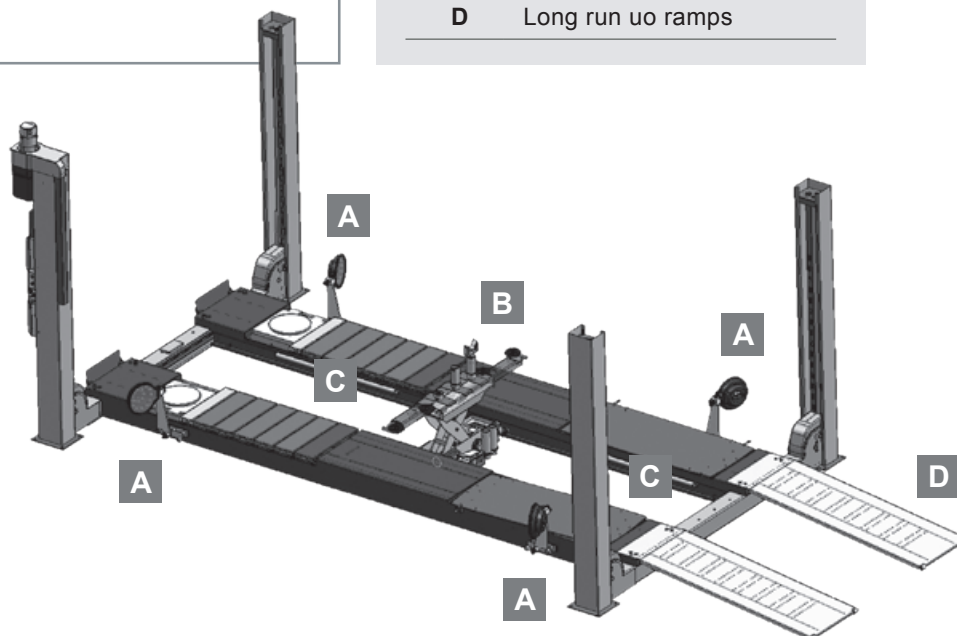
Electrohydraulic
4-post lifts



Alignment runways
Rear built-in
sliding tables front
spacers for turn
tables

The MKS kit allows to place the
four targets and check the perfect
lift planarity.
Targets, cameras and turn tables
are part of the wheel aligner and
are not included with the lift.

- A MKS system to check lift planarity
- B J40PMB - 4t jacking beam with MB specific adapters (spiral cable included)
- C Lighting kit - four led
- D Long runuo ramps



SPACE s.r.l. a s.u.

Via Sangano, 48
10090 Trana - Torino - ITALY
tel. +39-011-934.40.300
fax +39-011-933.88.64
e-mail: info@spacetest.com
www.spacetest.com

a DOVER company

Le caratteristiche tecniche e gli allestimenti presentati in questo prospetto possono subire variazioni. Le immagini riprodotte non sono vincolanti.
Technical data and composition presented in this catalogue may vary.
Pictures reproduced are only indicative.

Die techn. Daten und die Ausstattungen, die in diesem Prospekt enthalten sind, können Änderungen erfahren. Deshalb sind die Abbildungen unverbindlich.
Les caractéristiques techniques et les compositions présentées dans ce prospectus peuvent subir des variations. Les images reproduites n'ont qu'une valeur indicative.

Las características técnicas y las composiciones ilustradas en este folleto pueden sufrir variaciones. Las imágenes propuestas son solamente indicativas.