


• ACCESSORI PER DUE COLONNE • ACCESSORIES FOR 2 POST LIFT • ZUBEHÖR FÜR 2-SÄULEN-HEBEBÜHNEN
 • ACCESSORIES POUR DEUX COLONNES • ACCESORIOS PARA DOS COLUMNAS

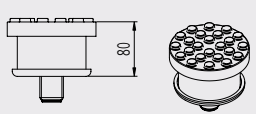
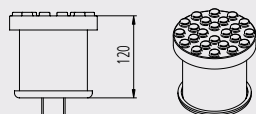
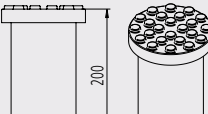
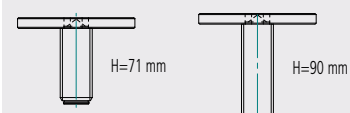
LEGENDA: 

Vedi listino per maggiori dettagli
 See pricelist for more details
 Siehe Preisliste für mehr Details
 Voir tarif pour plus de précisions
 Ver lista de precios para más detalles






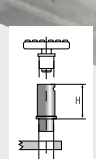



Montaggio in fabbrica
 Factory assembled
 Werkseitig montiert
 Montage in usine
 Montaje en fábrica

STANDARD ARMS

<p>S121A19</p>  <p>H=80mm 4xkit</p>	<p>S121A18</p>  <p>H=120mm 4xkit</p>	<p>S121A7</p>  <p>H=200mm 4xkit</p>	<p>M30 THREAD CAPACITY ≤ 3200 kg</p> <p>STANDARD</p> <p>S236A1 à for M30 thread arms S236A2 à for K version arms</p>  <p>H=71 mm H=90 mm</p>
---	--	--	---

For Fiat Ducato, Peugeot Boxer, Citroën Jumper
 Distanziali / Spacers / Abstandstücke / Rehausses / Espesores

Standard Arms M30 thread

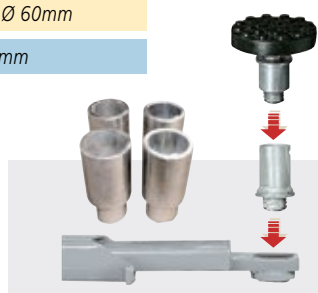
<p>S224A3</p>  <p>H=80mm 4xkit</p>	<p>S224A4</p>  <p>H=140mm 4xkit</p>	<p>S370A18</p>  <p>H=200mm 4xkit</p>
<p>S370A7</p> 	<p>S370A8</p> 	<p>S370A15</p> 
<p>S224RA4</p> 		

For Fiat Ducato, Peugeot Boxer, Citroën Jumper
 Distanziali / Spacers / Abstandstücke / Rehausses / Espesores

K - LIK - LIKT ARMS Ø 45mm

70LIK ARMS Ø 60mm

R ARMS Ø 55mm



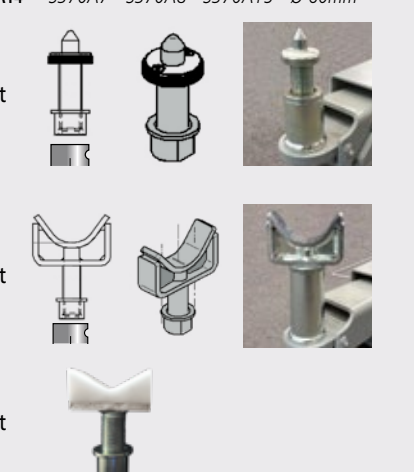
QUICK FIT SYSTEM

S370A19 → S224A3 - S224A4 - S370A18 - Ø 45mm
 S370A16 → S370A7 - S370A8 - S370A15 - Ø 60mm



4xkit

S370A17 → S224A3 - S224A4 - S370A18 - Ø 45mm
 S370A14 → S370A7 - S370A8 - S370A15 - Ø 60mm



2xkit

2xkit

2xkit

Supporti presa telaio / Frame adapters /
 Halterungen für Chassisaufnahme / Supports
 prise sur chassis / Espesores de agarre
 sobre chasis

For Mercedes Sprinter, VW LT+Crafter
 Supporti / Adapters / Halterungen / Supports /
 Adaptadores de agarre

S5.337 A2 2xkit



Supporti presa telaio / Frame adapters /
 Halterungen für Chassisaufnahme / Supports
 prise sur chassis / Espesores de agarre
 sobre chasis

S370A3 Ø 45mm
 S370A9 Ø 60mm



2xkit

Kit supporto distanziali
 Spacer supports
 Satz Halterung Distanzhülsen
 Supports pour rehausses
 Soportes para espesores



2xkit

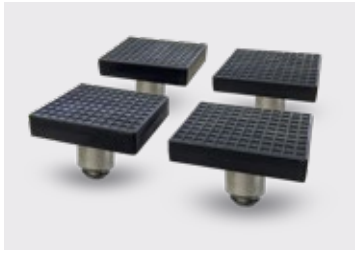
S370A29 → Ø 45mm
 S370A28 → Ø 60mm

EV arm lift



BRFJ6199
 Kit di prolunga del tampone
 4 x 89 mm, 4 x 127 mm, con
 2 supporti da montare sulle
 colonne.
 Adaptor Extension Kit
 4 x 89 mm, 4 x 127 mm,
 with 2 organizer racks.
 Drehteller Verlängerungs-Kit
 4 x 89 mm, 4 x 127 mm, mit
 2 Haltern zur Montage an
 den Säulen.
 Kit de prolongation plateaux
 tournants 4 x 89 mm,
 4 x 127 mm, avec supports
 pour le montage sur les
 colonnes.
 Adaptador del juego de
 prolongación 4 x 89 mm,
 4 x 127 mm, con 2 soportes
 para su montaje en las
 columnas.

BRFJ6172
 Kit di prolunga del tampone
 4 x 200 mm, con supporti da
 montare sulle colonne.
 Adaptor Extension Kit
 4 x 200 mm, with
 2 organizer racks.
 Drehteller Verlängerungs-Kit
 4 x 200 mm, mit Halter zur
 Montage an den Säulen.
 Kit de prolongation plateaux
 tournants 4 x 200 mm, avec
 supports pour le montage sur
 les colonnes.
 Adaptador juego de
 prolongación 4 x 200 mm,
 con soporte para su montaje
 en las columnas.

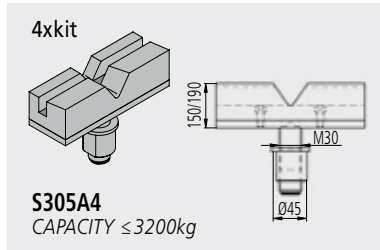


For Tesla

S370A32 → Ø 55 mm (LLK, R)

S370A34 → Ø 45 mm (K, LIK, LIKT, LIKTA)

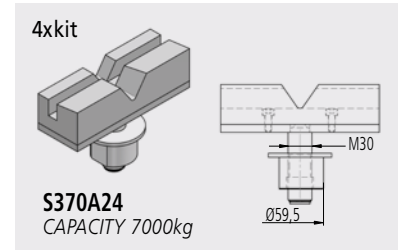
BRFJ6238 → EV arm lift



4xkit

S305A4

CAPACITY ≤3200kg



4xkit

S370A24

CAPACITY 7000kg

For Mercedes 460 range



S250A5

TAMPONI ANTERIORI
FRONT PADS

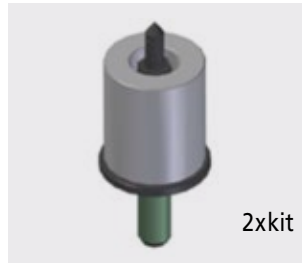
TAMPONI POSTERIORI
REAR PADS

PUNTI DI PRESA ANTERIORI
OFFICIAL FRONT PICK UP POINTS

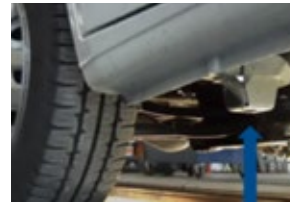
PUNTI DI PRESA POSTERIORI
OFFICIAL REAR PICK UP POINTS



2xkit



2xkit



I puntali vanno inseriti nei fori dei punti di presa per evitare il rischio che il veicolo scivoli. Le prolunghe integrate nei tamponi posteriori (h=115mm) permettono di raggiungere i punti, evitando ostacoli sotto il telaio, come la marmitta.

The pins on top must be inserted in the pick-up points holes to avoid the risk of slipping.

The integrated extension in the rear pads (h=115mm) allows to reach the points, avoiding obstacle in the underbody, like the exhaust pipe.

Kit tamponi specific per:
Pads kit designed for:

Fiat Ducato
Peugeot Boxer
Citroën Jumper

S370A27



2xkit

Vaschetta magnetica per bracci / Magnetic Tray / Werkzeug-Ablageschale / Bac magnétique, magnetisch / Deposito magnetico

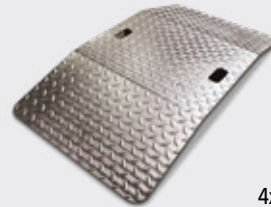
S370A22



1xkit

Kit cinghie trattenimento / Retaining belts kit / Sicherheitsgurt / Kit de sangles de maintien / Kit correas de retencion

S370A23



4xkit

Kit 4 supporti per innalzamento veicoli extrabassi.

Set of 4 supports for extra low clearance vehicles.

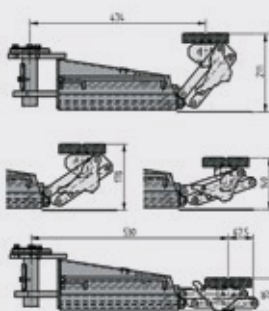
Satz Unterstellplatten für extrem niedr. Fahrzeuge (4 Stk).

Kit de supports pour rehausser les vehicules tres bas.

Juego de soportes para levantamiento de vehiculos de bajo perfil

MULTI HEIGHT PAD

CAPACITY ≤3500kg



Tampori Estensibili

- 4 altezze (95, 140, 178, 211mm)
- posizionamento rapido
- si alza con due dita e scende tirando il cavalletto
- ulteriore regolazione a vite di 40mm

Flip-up Pads

- 4 heights (95, 140, 178, 211mm)
- quick positioning
- two fingers to push up the pad and lowering by pulling the cable
- further 40mm screw adjustment

Aufklappbare Aufnahmen

- 4 Unterschwenkhöhen (95, 140, 178, 211mm)
- schnell Positionierung
- Heben mit zwei Fingern und senken mit Kabelschnur
- weitere 40mm Erhöhung mit Drehteller

Tampons Extensibles

- 4 hauteurs (95, 140, 178, 211mm)
- positionnement rapide
- levage avec deux doigts et descente en tirant le câble
- réglage ultérieur à vis de 40mm

Tacos Extensibles

- 4 alturas (95, 140, 178, 211mm)
- colocación rapida
- se levanta con dos dedos y se baja tirando el cable
- 40mm más de altura ajustables a rosca

S305A14
S336A1



S305A14/S Fornito installato in fabbrica in sostituzione dei tamponi esistenti

S336A1/S Fitted in factory instead of standard pads

S234A1/S Satz Aufnahmen wie ohne /S Satz bereits werkseitig montiert

S370A2/S Fournis installés en remplacement des tampons existants

S5.337A7X2/S Tacos suministrado ya instalados en lugar de los tacos normales



S349A2
S337WA1
S337WKA1
S337WRA1

2xkit

Arm Extensions



S337A2

2xkit

Kit contropiastre
Piastrine per montaggio 2 colonne su pavimenti con caratteristiche insufficienti. Spessore min. 100 mm R'bk 200 (S370A30 e S370A36 150mm).



S349A1

2xkit

Outrigger kit
Plates to install 2-post lifts on floor with poor capacity. Min. requirement R'bk 200 with thickness 100 mm (S370A30 and S370A36 150mm).



S370A30
S370A36

2xkit

Satz Zusatzgrundplatten
Zusatzplatten für die Montage von Zwei-Säulenhebebühnen auf Böden mit geringer Betondecke. Mindestanforderung: Betondecke 100 mm, Betonqualität R'bk 200 (S370A30 und S370A36 150mm).

Kit plateaux
Plateaux pour installer les éleveurs 2 colonnes sur un sol de qualité insuffisante. Épaisseur mini 100 mm avec béton R'bk 200 (S370A30 et S370A36 150mm).

Kit de placas de soporte para las bases de las columnas
Placas para montaje de 2 columnas en suelos con características insuficientes. Espesor mínimo recomendado 100 mm, hormigón R'bk 200 (S370A30 y S370A36 150mm).



S343A2EV

Retrofit kit composto da 4 bracci con ultimo stadio rotante. Adatto per KPX337LW, KPX337LWK, KPX337LWR, KPX315LWK, KPX343WK, BRJ6199, BRJ6238 e BRJ6172.

Arms kit with rotating final stage. Suitable for KPX337LW, KPX337LWK, KPX337LWR, KPX315LWK, KPX343WK, BRJ6199, BRJ6238 and BRJ6172.

Auszug mit Knickarm. Geeignet für KPX337LW, KPX337LWK, KPX337LWR, KPX315LWK, KPX343WK, BRJ6199, BRJ6238 und BRJ6172.

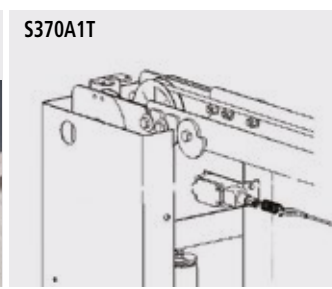
Bras avec dernière rallonge rotative. Adapté pour KPX337LW, KPX337LWK, KPX337LWR, KPX315LWK, KPX343WK, BRJ6199, BRJ6238 et BRJ6172.

Brazos con ultima extensión rotatoria articulada. Adecuado para KPX337LW, KPX337LWK, KPX337LWR, KPX315LWK, KPX343WK, BRJ6199, BRJ6238 y BRJ6172.

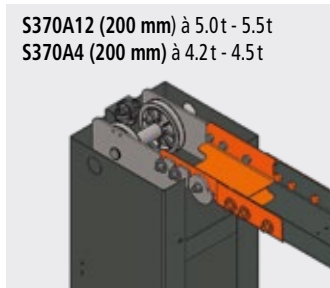


S370A20 (3 PHASE)
S370A21 (1 PHASE)

Fincorsa / Limit switch / Endabschalter / Fin de course / Final de carrera

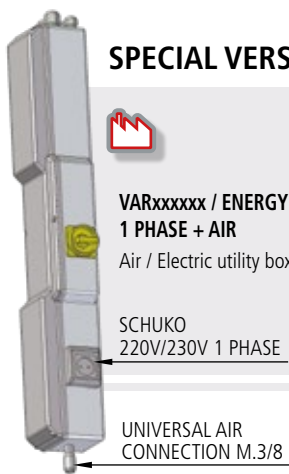


S370A1T



S370A12 (200 mm) à 5.0t - 5.5t
S370A4 (200 mm) à 4.2t - 4.5t

Estensione larghezza / Width extension / Verbreitung / Extension en largeur / Extensión de anchura

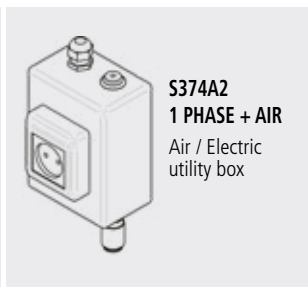


SPECIAL VERSIONS Energy Set

VARxxxxx / ENERGY 1 PHASE + AIR
Air / Electric utility box

SCHUKO 220V/230V 1 PHASE

UNIVERSAL AIR CONNECTION M.3/8



S374A2
1 PHASE + AIR
Air / Electric utility box



S370A5
S5.337A9

2xkit

Set parasportelli / Set of door protections / Satz Türanschläge / Kit protection portes / Juego de protecciones para puertas.



S121A2A

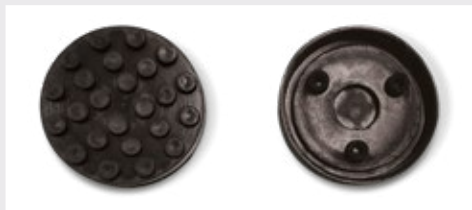
4xkit

Cavalletti per assetto / Alignment stands / Stative für Achsvermessung / Béquilles pour géométrie / Caballetes para alineado



S110A7
Ø 310 mm (12.2")
2x1000 kg (2x2200lbs)

Piatti rotanti / Turntables / Drehplatten / Plateaux pivotants / Platos giratorios

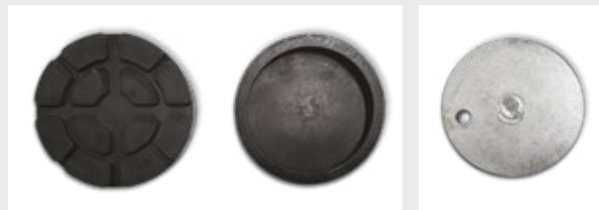


Pad, upper side
Tampone, lato superiore

Pad, bottom side
Tampone, lato inferiore

Code number
046405771

Diameter - Diametro 125 mm



Pad, upper side
Tampone, lato superiore

Pad, bottom side
Tampone, lato inferiore

Pad Support
Piattello

Code number
046405772

Code number
042720041

Diameter - Diametro 125 mm

Kit including 1 pad + 1 support
Kit composto da 1 tampone e 1 piattello **047097180**



Pad, upper side
Tampone, lato superiore

Pad, bottom side
Tampone, lato inferiore

Code number
047021040

Diameter - Diametro 147 mm



Pad, upper side
Tampone, lato superiore

Pad, bottom side
Tampone, lato inferiore

Code number
047021041

Diameter - Diametro 150 mm

Kit including 1 pad + 1 support
Kit composto da 1 tampone e 1 piattello **047091070**

Kit including 1 pad + 1 support
Kit composto da 1 tampone e 1 piattello **047097210**



Pad, upper side
Tampone, lato superiore

Pad, bottom side
Tampone, lato inferiore

Code number
047021850

Diameter - Diametro 100 mm



121KP6Z215
150 mm

04640577
120 mm

Kit including 1 pad + 1 support
Kit composto da 1 tampone e 1 piattello **047097250**

Pads for old KP - 2 posts lifts series
Tamponi per ponti 2 colonne molto vecchi serie KP